

rh support



RH Support offers a range of chairs specially designed for those who work at raised workstations or switch between sitting or standing. The chair provides infinitely adjustable seat and back angles and its broad range of accessories makes it possible to adapt the RH Support to individual needs and tasks. All controls are conveniently located on the right. The flexibility of the RH Support makes it ideal as a chair for several users, for example in industrial facilities, dental and healthcare environments, offices, checkouts, laboratories and reception areas. The RH Support is also available in an ESD-compliant version.

#### **Our philosophy of ergonomics**

At RH Chairs we have our own philosophy of ergonomics based on the two important principles of upright posture and active sitting. These principles improve breathing and circulation and stimulate the muscles. The philosophy is evident in the RH Support by ensuring that your body receives the variation and support it requires even when you move, helping you to perform better and feel more comfortable.

---

**The back pad** provides excellent support for the lower back and is adjustable in height.

---

**The chair provides infinitely adjustable seat and back angles.** This is an advantage if you want to change settings quickly. The controls are conveniently located on the right. The correct angle is important in ensuring optimum comfort.

---

**Different base** designs are available: black, graphite or polished aluminium or black polyamide. A footring is also available as an option.

---

**Various castors are available, including types suitable for hard or soft floors.** The chair can also be equipped with glides rather than castors.

rh support



Choose between different seat designs depending on needs and individual preference.

The height of the chair is determined by the gas stem chosen. To adapt the chair easily for different users and working environments, there are five different stems to choose from.

Chairs that support your work  
**The RH Support is available in several versions. It can be tailored to suit most environments. All versions are available in ESD-approved versions. If you select a version without a backrest, you can also choose as an option a simple mechanism that only adjusts the chair's height.**



**RH Support Alternativ**

Can be used as a sit-stand support stool or for chest support. The narrow chest support takes the weight of the body and gives great freedom of movement for the arms. As standard, the chair is equipped with a base in black polyamide and glides.



**RH Support Saddle**

Support chair with saddle-moulded seat. Available with a simple control for height adjustment only. Also available with "Limpan" or stool-type seat.



**RH Support Froli**

Support stool with "Froli" seat of integral PU foam. As standard, the chair is equipped with a base in black polyamide and glides. Froli is only available without a backrest.



**RH Support Limpan**

Support stool with "Limpan" seat. Also available without backrest. As standard, the chair is equipped with a base in black polyamide and glides.



**RH Support Saddle**

Support chair with saddle-shaped seat. Also available without backrest. As standard, the chair is equipped with a base in black polyamide and glides.



**RH Support Taburett**

Support chair with a round seat pad. Also available without backrest. As standard, the chair is equipped with a base in black polyamide and glides.

**Complete flexibility**

With its many models, options and accessories, the RH Support is an exceptionally flexible range of chairs. And naturally, we will be happy to help you choose the best selection of chairs to suit your workplace and tasks.

**An environmentally intelligent chair**

All chairs from RH are as kind to the environment as they are good for the body. Like all our chairs, the RH Support is 100 per cent recyclable. Many of its components are made from recycled materials, our manufacturing processes use low energy technology and, when your RH Support has come to the end of its working life, it can be returned for recycling.

**RH Support ESD**

The RH Support ESD has been developed for environments subject to electrostatic discharge and is approved in accordance with IEC 61340.

**Guarantee**

An RH chair is built to withstand stress and to last. Before it leaves our factory it goes through rigorous tests and checks. For this reason, we also provide a three-year guarantee on the RH Support.



## Options



### RH Support

RH Support offers an extremely wide range of accessories. Naturally, you can also buy the basic chair and add accessories as you need them.

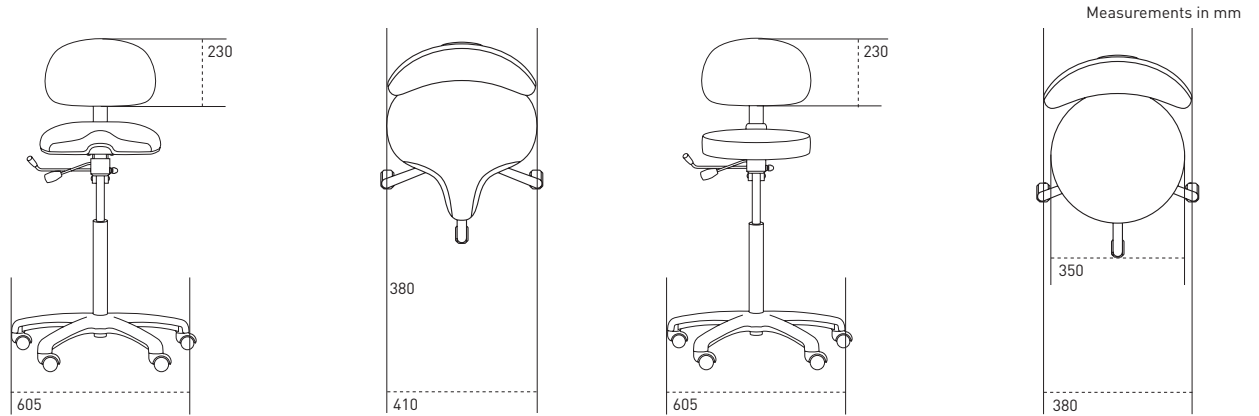
- 1 Footring 6F
- 2 Base 5N chrome-plated steel
- 3 Base 5L graphite aluminium
- 4 Base 5J polished aluminium
- 5 Base 5K black aluminium

- 6 Castors 7D for soft floors (for base 5N)
- 7 Castors 7HN for hard floors (for base 5N)
- 8 Castors 7G lock automatically under load
- 9 Castors 7P for soft floors
- 10 Castors 7H for hard floors

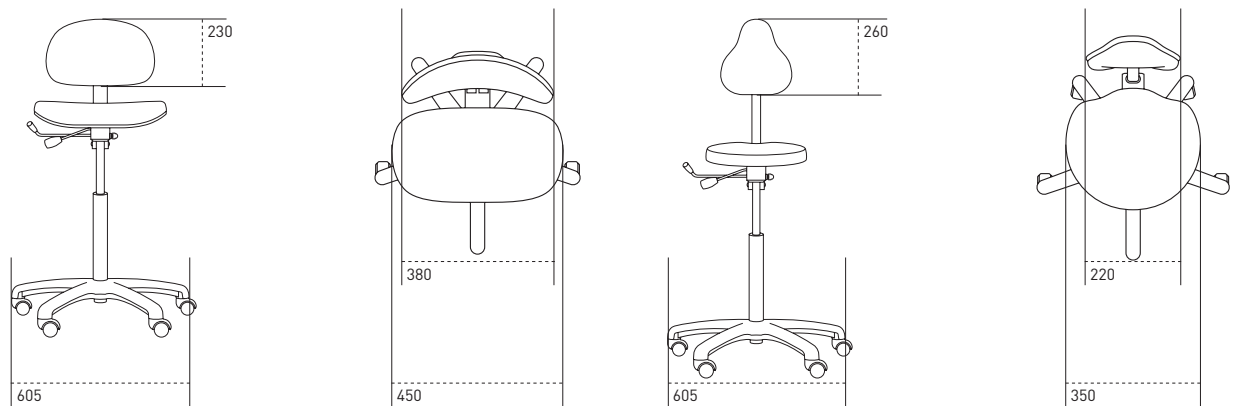
### Gas stem available for different heights.

- Standard (4A), approx. 625-875 mm
- 4C, approx. 550-740 mm
- 4FH, approx. 500-650 mm
- 4F, approx. 400-530 mm
- 4FL, approx. 390-480 mm

## RH Support Sadel, Taburett



## RH Support Limpan, Alternativ



Chair model	Support Sadel	Support Taburett	Support Limpan	Support Alternativ
Seat depth	380 mm	Ø350 mm	240 mm	460 mm
Seat width	410 mm	Ø350 mm	450 mm	350 mm
Overall height standard	625-875 mm	625-875 mm	625-875 mm	625-875 mm
Backrest height	230 mm	230 mm	230 mm	260 mm
Backrest width	380 mm	380 mm	380 mm	220 mm
Diameter of base	605 mm	605 mm	605 mm	605 mm

The design and specifications of RH Chairs' products are developed on an ongoing basis and the above formulations should not be perceived as completely final.



**United Kingdom**

RH Chairs  
Upper Tulse Hill Trading Estate  
5 Somers Place  
London SW2 2AL  
Tel: +44 (0)20 8683 9930  
Fax: +44 (0)20 8683 9940  
info@rhform.co.uk  
www.rhchairs.co.uk



Our environmental and quality policy  
All chairs from RH are 100 per cent recyclable. We also provide assistance in recycling. Just contact us and we'll take care of the rest. How many other chair companies can say that? RH Form AB holds both ISO 14001 environmental certification and ISO 9001 quality certification.