

rh 190



RH 190 is an exceptionally flexible and adjustable range of highly ergonomic chairs ideal for a wide range of applications, including industrial, laboratory, dental and healthcare environments. The series includes two basic models: RH 191 with a separate backrest and seat angle adjustment and the RH 192 with simultaneous seat and backrest adjustment. A wide range of options includes three different backrests and two different seats, which make it easy to adapt the chair to individual needs and preferences. All controls are conveniently clustered on the right.

#### **Our philosophy of ergonomics**

At RH Chairs we have our own philosophy of ergonomics based on the two important principles of upright posture and active sitting. These principles improve breathing and circulation and stimulate the muscles. The philosophy is evident in the RH 190 by ensuring that your body receives the variation and support it requires even when you move, helping you to perform better and feel more comfortable.

---

**The back pad** is articulated to provide complete comfort, including when the backrest is angled backwards.

---

**The height** of the chair is easily adjusted. Finding the correct height is especially important for circulation in the legs. The chair can also be specified as a draughtsman's unit.

---

**The chair provides completely adjustable seat and back angles.** Settings can be changed quickly and easily to provide optimum relief and support. Controls are conveniently located on the right.

---

**The five star base** is available in black polyamide, black or grey aluminium and polished aluminium. The chair can also be equipped with a footring or footplate.

---

**A range of castors** is available, including types suitable for hard or soft floors. The chair can also be equipped with glides.

rh 190



**The seat pad** is made of moulded CHMR foam and designed to provide varied and dynamic sitting. The waterfall edge reduces pressure on the underside of the legs, improving blood circulation. For more demanding environments, the seat and backrest are available with integral PU foam.

**Both the seat and backrest pads** are easily exchanged. When they become worn or stained or you want to change them for any other reason, you don't need to replace the entire chair, which is not only cost effective and practical but also great for the environment.



#### RH 191

With a moulded backrest for good support and maximum freedom of movement, the chair is supplied as standard equipped with a base in black polyamide and castors for soft floors.



#### RH 191 RH1/RH1

A moulded, tapered backrest supports the curve of the back while allowing greater freedom of movement. Using various gas stems, the chair can be adapted for work on raised surfaces

Different styles for different tasks  
The RH 190 is available in a number of basic versions. The RH 191 has separate levers for each function while the RH 192 has a shared lever for adjusting the angle of the seat and backrest. A reinforced front edge in leather on the seat and backrest is also available.



#### RH 192

With its moulded backrest and seat, the RH 192 provides excellent support and maximum freedom of movement. As standard, the chair is equipped with a base in black polyamide and castors for soft floors. A single lever is used to adjust the angles of the seat and backrest.



#### RH 192 RH2/RH2

Offering a larger seat and moulded back with good lumbar support, the backrest allows exceptional freedom of movement. As standard, the chair is equipped with a base in black polyamide and castors for soft floors. A single lever is used to adjust the angles of the seat and backrest.

**Complete flexibility**

With its many models, options and accessories, the RH 190 is an exceptionally flexible range of chairs.

**An environmentally intelligent chair**

All chairs from RH are as kind to the environment as they are good for the body. Like all our chairs, the RH 190 is 100 per cent recyclable. Many of its components are made from recycled materials, our manufacturing processes use low energy technology and, when your RH 190 has come to the end of its working life, it can be returned for recycling.

**Exchangeable pads**

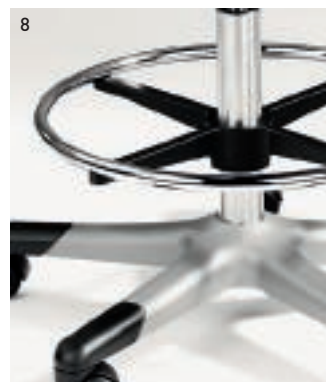
Our chairs are made to last. Nevertheless the seat and backrest pads are quick and easy to exchange so you won't need to substitute the entire chair just because the upholstery needs to be replaced. This benefits both your wallet and the environment.

**Guarantee**

An RH chair is built to withstand stress and to last. Before it leaves our factory it goes through rigorous tests and checks. For this reason, we also provide a three-year guarantee on the RH 190.



## Options



### RH 190

The RH 190 has a wide range of accessories that makes it easy to adapt each chair to individual requirements and needs. Naturally, you can also buy the basic chair and add accessories as you need them.

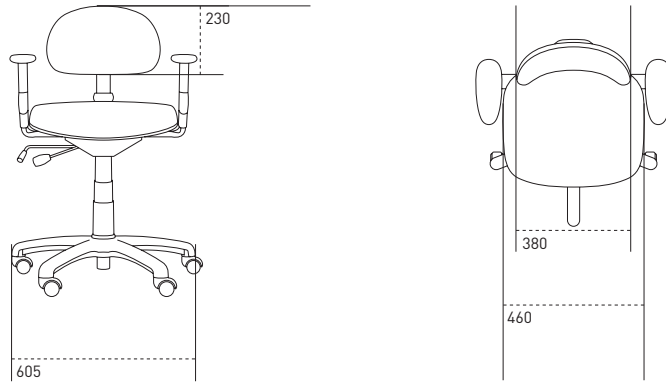
- 1 Exchangeable pad
- 2 Reinforced front edge on backrest and seat
- 3 Armrest 8E (height, depth, width)
- 4 Armrest 8S (height, width, rotating)
- 5 Base 5L graphite aluminium
- 6 Base 5J polished aluminium

- 7 Base 5K black aluminium
- 8 Footrest 6F
- 9 Footrest 6C
- 10 Glide 7K
- 11 Castors 7G lock automatically under load
- 12 Castors 7H for hard floors

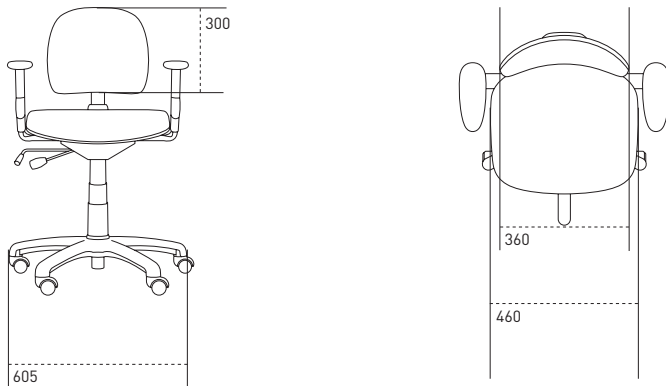
**Gas stem available for different heights**  
 Standard, approx. 405-530 mm  
 4A, approx. 590-825 mm  
 4C, approx. 520-700 mm  
 4FH, approx. 440-570 mm  
 4FL, approx. 365-455 mm

RH 191/RH192

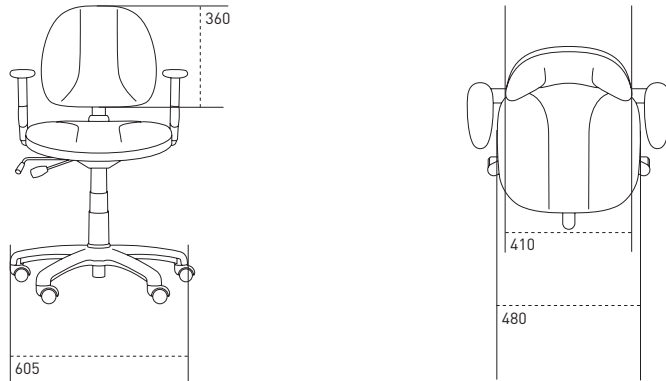
Measurements in mm



RH1/RH1



RH2/RH2



Chair model	RH 191/192	RH1/RH1	RH2/RH2
Seat depth	420 mm	420 mm	460 mm
Seat width	460 mm	460 mm	480 mm
Overall height standard	395-525 mm	395-525 mm	395-525 mm
Backrest height	230 mm	300 mm	360 mm
Backrest width	380 mm	360 mm	410 mm
Diameter of base	605 mm	605 mm	605 mm

The design and specifications of RH Chairs' products are developed on an ongoing basis and the above formulations should not be perceived as completely final.



**United Kingdom**

RH Chairs  
Upper Tulse Hill Trading Estate  
5 Somers Place  
London SW2 2AL  
Tel: +44 (0)20 8683 9930  
Fax: +44 (0)20 8683 9940  
info@rhform.co.uk  
www.rhchairs.co.uk



Our environmental and quality policy  
All chairs from RH are 100 per cent recyclable. We also provide assistance in recycling. Just contact us and we'll take care of the rest. How many other chair companies can say that? RH Form AB holds both ISO 14001 environmental certification and ISO 9001 quality certification.