

rh activ



RH Activ continues to be one of our most popular models. It includes all the ergonomic functions you require and is exceptionally flexible and easy to use. Three different backrests, a range of gas stems and two different seats along with an extensive range of accessories allow RH Activ to be adapted to almost any environment, including offices, educational facilities, checkouts, reception areas, ESD environments, industrial plants, health and dental care facilities and laboratories. Since RH Activ has only one easy-to-use control, it works well as a chair for multiple users. The basic range comprises RH Activ 1, RH Activ 2 and RH Activ 3.

Our philosophy of ergonomics

At RH Chairs we have our own philosophy of ergonomics based on the two important principles upright posture and active sitting. These principles improve breathing and circulation and stimulate the muscles. The philosophy is evident in the RH Activ through the unique "two-point principle" or 2PP™, which ensures that your body receives the variation and support it requires as you move. Because the chair's basic settings do not change, this helps you to do more and perform better.

The backrest is flexible, enhancing comfort. The tapered design provides freedom of movement for the user's arms, while the lumbar support improves posture.

The height of the backrest can be adjusted with a simple movement.

The control is conveniently placed on the right. Choosing the correct height improves blood flow in the legs while the correct seat angle provides just the right level of comfort and support.

A range of five star bases is available: graphite, black or polished aluminium.

Castors for both hard and soft floors are available. The chair is also available with glides.

rh activ



Armrests are optional but are recommended since they provide relief for the shoulders. Two armrest variants are available. Both can be adjusted by height and width, while one can also be adjusted by depth and the other can be rotated 360 degrees.

The seat is made of moulded foam, which shapes itself to the body. The waterfall edge of the seat reduces pressure on the underside of the thighs, facilitating good circulation. The seat height is easily adjusted using the control lever on the right.

Both the seat and backrest pads are easily exchanged. Should they become worn or stained or you want to change them for any other reason, you don't need to replace the entire chair, which is not only cost effective and practical but also great for the environment.



RH Activ 1

The RH Activ 1 has a smaller seat with a waterfall front edge and a moulded back pad with a good lumbar support. As standard, the chair has a base in graphite aluminium and castors for soft floors.

RH Activ 2

The RH Activ 2 has a larger seat and a medium-sized moulded back pad with a good lumbar support. The back is tapered for greater freedom of movement. As standard, the chair has a base in graphite aluminium and castors for soft floors.



RH Activ 3

The RH Activ 3 has a large seat and moulded back plate, with a pronounced lumbar support and extra padding, providing extra support between the shoulder blades. The backrest narrows towards the top to allow greater freedom of movement. As standard, the chair has a base in graphite aluminium and castors for soft floors.

RH Activ 2

The RH Activ 2 with high gas stem and footing, suitable for raised work stations.

Complete flexibility

With its many models, options and accessories, the RH Activ is our most flexible family of chairs. And naturally, we will help you compose the best selection of chairs to suit your workplace and tasks.

An environmentally intelligent chair

All chairs from RH are as kind to the environment as they are good for the body. Like all our chairs, the RH Activ is 100 per cent recyclable. Many of its components are made from recycled materials, our manufacturing processes use low energy technology and, when your RH Activ has come to the end of its working life, it can be returned for recycling.

RH Activ ESD 10/20

The RH Activ ESD has been developed to suit electrostatic discharge environments (ESDs) and is approved in accordance with IEC 61340. The chair is available in two versions with different backrest and seat sizes.

Exchangeable pads

Our chairs are made to last. Nevertheless the seat and backrest pads are quick and easy to exchange so you won't need to substitute the entire chair just because the upholstery needs to be replaced. This benefits both your wallet and the environment.

Guarantee

An RH chair is built to withstand stress and to last. Before it leaves our factory it goes through rigorous tests and checks. For this reason, we also provide a five-year guarantee on the RH Activ.



Options



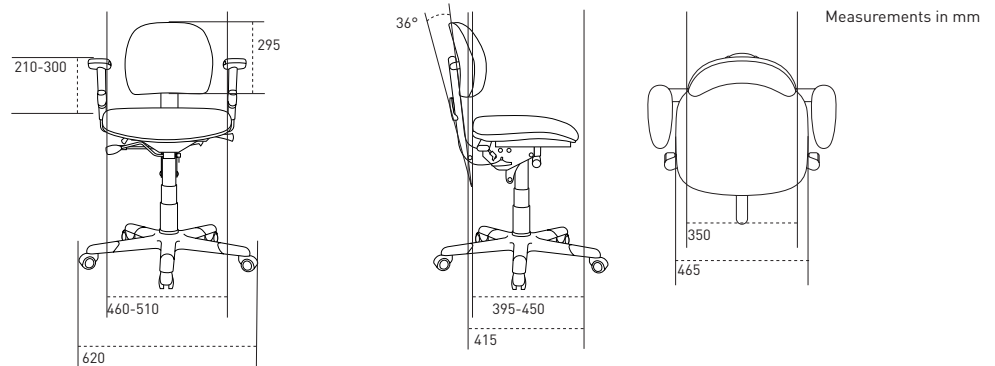
RH Activ
For the sake of flexibility, the RH Activ has an extremely wide range of accessories. Naturally, you can also buy the basic chair and add accessories as you need them.

- 1 Exchangeable pad
- 2 Reinforced front edge on backrest and seat
- 3 Armrest 8E (height, depth, width)
- 4 Armrest 8S (height, width, rotating)
- 5 Base 5E black polyamide
- 6 Base 5J polished aluminium

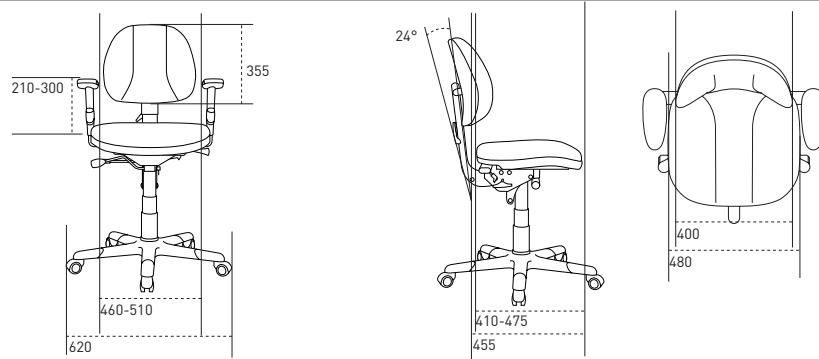
- 7 Base 5K black aluminium
- 8 Footring 6F
- 9 Glide 7K
- 10 Castors 7G lock automatically under load
- 11 Castors 7H for hard floors

Gas stem available for different heights.
Standard, approx. 390-510 mm
4A, approx. 575-810 mm
4C, approx. 505-665 mm
4FH, approx. 430-550 mm
4FL, approx. 350-430 mm

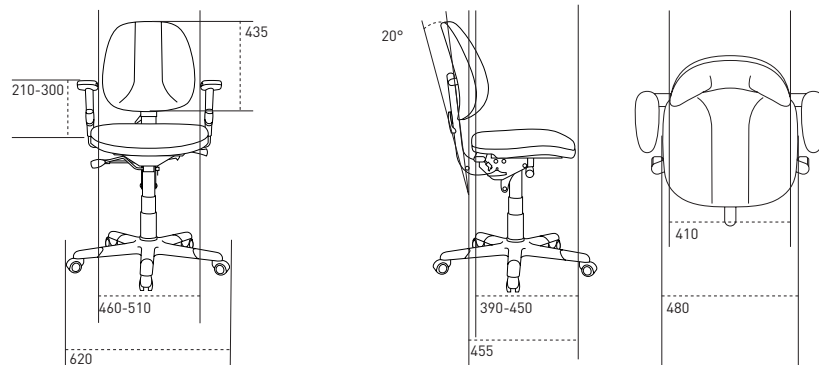
RH Activ 1



RH Activ 2



RH Activ 3



Chair model	Activ 1	Activ 2	Activ 3
Overall depth	395-450 mm	410-475 mm	390-450 mm
Seat depth	415 mm	455 mm	455 mm
Seat width	465 mm	480 mm	480 mm
Overall height	400-520 mm	390-510 mm	390-510 mm
Seat angle adjustment	+9°-4°	+5°-7°	+6°-7°
Height of lumbar support above the seat	180-290 mm	170-280 mm	150-260 mm
Backrest height	295 mm	355 mm	435 mm
Backrest width	350 mm	400 mm	410 mm
Back angle adjustment	36°	24°	20°
Height of armrest above seat	210-300 mm	210-300 mm	210-300 mm
Distance between armrests	460-510 mm	460-510 mm	460-510 mm
Diameter of base	620 mm	620 mm	620 mm

The design and specifications of RH Chairs' products are developed on an ongoing basis and the above formulations should not be perceived as completely final.



United Kingdom

RH Chairs
Upper Tulse Hill Trading Estate
5 Somers Place
London SW2 2AL
Tel: +44 (0)20 8683 9930
Fax: +44 (0)20 8683 9940
info@rhform.co.uk
www.rhchairs.co.uk



Our environmental and quality policy
All chairs from RH are 100 per cent recyclable. We also provide assistance in recycling. Just contact us and we'll take care of the rest. How many other chair companies can say that? RH Form AB holds both ISO 14001 environmental certification and ISO 9001 quality certification.